

### Description

Electromechanical time switches 1 channel for daily or weekly programming.  
To control lighting, heating, household appliances, shop windows etc...  
To improve comfort and save energy.

### Applications

Domestic and commercial premises.  
DIN rail mounting

### Technical data

- programming by captive segments.
- manual override:
- On 1 module devices:
  - automatic
  - permanent ON
- On 3 and 5 module devices:
  - automatic
  - permanent ON
  - permanent OFF

### Minimum switching time:

- 15 min for daily versions
- 2 hours for weekly versions
- 15 min and 2 hours on the daily+weekly version

### Connection capacity:

1 to 4mm<sup>2</sup>

Complies with EN 60 730.

Designation	Voltage	Cycle	Width in 17.5 mm	Cat. ref.
-------------	---------	-------	------------------	-----------



EH071

### Analogue time switches modular compact

1 NO  
16 A - 250 V AC1

230V  
50Hz 24h without battery reserve

1 **EH010**

24h reserve: 200 h

1 **EH011**

7day reserve: 200h

1 **EH071**



EH191

### Analogue time switches standard modular version

1 NO changeover  
16 A - 250 V AC1

230V  
50Hz 24h without hand without battery reserve

2 **EH209**

24h without battery reserve

2 **EH210**

24h reserve: 200 h

2 **EH211**

7day reserve: 200 h

2 **EH271**

24h + 7day reserve: 200h

5 **EH191**

24h without battery reserve

3 **EH110**

24h without battery reserve

3 **EH111**

6 to 24V AC/DC 24h without battery reserve

3 **EH110A**

24h reserve: 200 h

3 **EH111A**

7day reserve: 200 h

3 **EH171A**



EH111



EH110A

### Sealing kit for 3 "modules" time switch

**EH901**

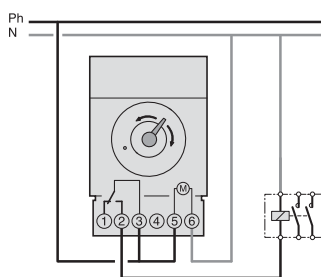
### Wall mounting kit for 3 "modules" time switch

**EH902**

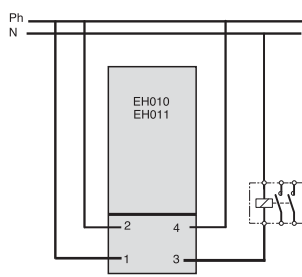
## Technical specifications

	EH010	EH011	EH071	EH110	EH111	EH191
<b>Width in I 17.5mm</b>	1	1	1	3	3	5
<b>Version</b>	daily	daily	weekly			daily + weekly
<b>Electrical characteristics</b>						
voltage supply	230V +10/-10%			230V	230V	230V +10/-10%
frequency				50/60Hz		
consumption				0.5VA		
output	1NO			changeover		
<b>Switching capacity</b>						
AC1				16A/250V		
inductive load (cos φ = 0.6)	4A/250V			3A/250V		
incandescent lamps				900W		
<b>Characteristics</b>						
technology	quartz					
dial	24 h		7 days		24 h	24 h and 7 days
switching dial	15 min		1h 45			15 min and 2 h
min. switching	30 min		3 h 30		15 min	15 min and 2 h
max. number of switching	96		96			96/84
accuracy	+/- 1 sec per day					
supply failure reserve		200 h	200 h			200 h
reached in		120 h				120 h
manual override	auto/ON/OFF					
<b>Environment</b>						
ingress protection	IP20					
working temperature	-10 to +45°C					
storage temperature	-10 to +50°C					
connection	0.5 to 4mm <sup>2</sup>					

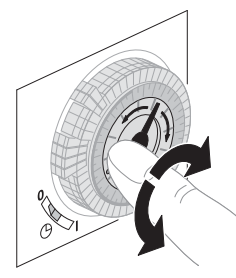
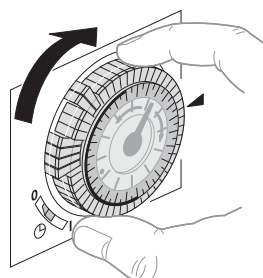
	EH209	EH210	EH211	EH271	EH110A	EH111A	EH171A
<b>Width in I 17.5mm</b>	2	2	2	2	3	3	3
<b>Version</b>	daily	daily	daily	weekly	daily	daily	weekly
<b>Electrical characteristics</b>							
voltage supply	230V +10/-15%			230V +10/-15%		6 to 24V AC/DC	
frequency				50/60Hz		50/60 Hz	
consumption				0.5 VA		0.5 VA	
output				1NO changeover		1 NO changeover	
<b>Switching capacity</b>							
AC1				16A/230V		16A/230V	
inductive load (cos φ = 0.6)				4A/230V		4A/230V	
incandescent lamps				1000W		900W	
<b>Characteristics</b>							
technology	quartz				quartz		
dial	24 h			7 days	24 h		7 days
switching dial	15 min			1 h 45	15 min		2 h
min. switching	30 min			3 h 30	30 min		4 h
max. number of switching			48		48		
accuracy	+/- 1 sec per day				± 6 min per year		
supply failure reserve	-	-	200 hours	200 hours	-	72 hours	72 hours
reached in	-	-	120 hours	120 hours	-	120 hours	120 hours
manual override	auto/ON/OFF				auto/ON/OFF		
<b>Environment</b>							
ingress protection	IP20				IP20		
working temperature	-10 to +55°C				-10° to +55°C		
storage temperature	-20° to +70°C				-20° to +70°C		-10° to +55°C
connection	1.5 to 6mm <sup>2</sup>				1 to 4mm <sup>2</sup>		



EH110 Electrical connections



EH010, EH011 electrical connections



Simple time setting and programming using dual direction dial

**Description**

For daily or weekly programming.  
1 channel for the control of lighting, heating, household appliances, shop windows etc..  
To improve comfort and save energy.

**Applications**

Domestic and commercial premises.

**Technical data**

- suitable for surface, flush or din rail mounting
- programming by captive segments
- manual override with automatic return to programme
- operating reserve: 200 hours after being connected for 120 hours
- with clock hand
- output: voltage free changeover contact 16A/250V


**Daily version**

Programming in steps of 10 minutes.  
Minimum time between 2 switching intervals: 20 min

**Weekly version**

Programming in steps of one hour.  
- minimum time between 2 switching intervals: 2 hours  
- switching accuracy: 10 min

Complies with EN 60 730-2-7.

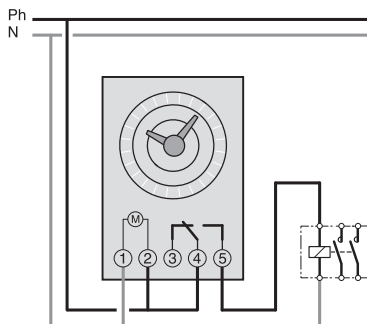
Designation	Characteristics	Pack qty.	Cat. ref.
	<b>1 channel daily cycle</b>		
	supply : 230V 50/60Hz		
	without battery reserve	1	<b>EH710</b>
	with battery reserve	1	<b>EH711</b>
	reserve : 200 hours after being connected for 120 hours		
	<b>1 channel weekly cycle</b>		
	supply : 230V 50/60Hz		
	without battery reserve	1	<b>EH770</b>
	with battery reserve	1	<b>EH771</b>
	reserve : 200 hours after being connected for 120 hours		
<b>1 channel daily cycle</b>	supply : 6 to 24V AC/DC 50/60Hz		
	without battery reserve	1	<b>EH710A</b>
<b>Flush mounting kit</b>			<b>EH900</b>

EH711

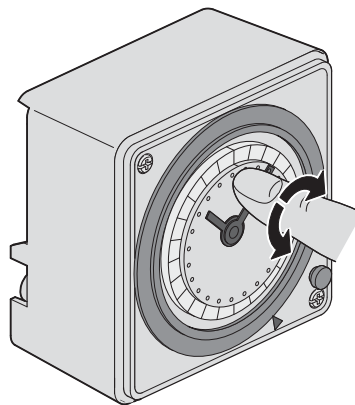
EH771

## Technical specifications

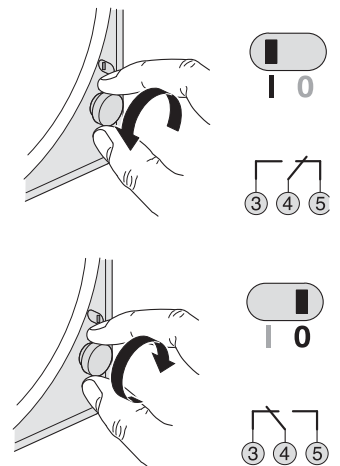
	EH710	EH711	EH770	EH771	EH710A
<b>Dimensions (mm)</b>	72x72x48	72x72x48	72x72x48	72x72x48	72x72x48
<b>Electrical characteristics</b>	daily	daily	weekly	weekly	daily
voltage supply	230V +10/-15% 50/60Hz				110V to 240V AC 50/60Hz 48V DC +10/-15%
consumption	0.5VA				
output	1 changeover				1 N/O
<b>Switching capacity</b>					
AC1	16A/250V				
inductive load (cos φ = 0.6)	3A/250V				
incandescent lighting	1000W				
<b>Characteristics</b>					
technology	quartz				
dial	24h		7 days		24h
switching dial	10min		1 hour		10 min
minimum switching	20min		2 hour		20 min
working accuracy	+/- 1 sec per day				
supply failure reserve	-	200 hours	-	200 hours	-
reached in		120 hours		120 hours	
manual switch	temporary ON or OFF				
<b>Environment</b>					
working temperature	-10 to +50°C				
storage temperature	-20 to +60°C				
connection capacity	1 to 6mm <sup>2</sup>				



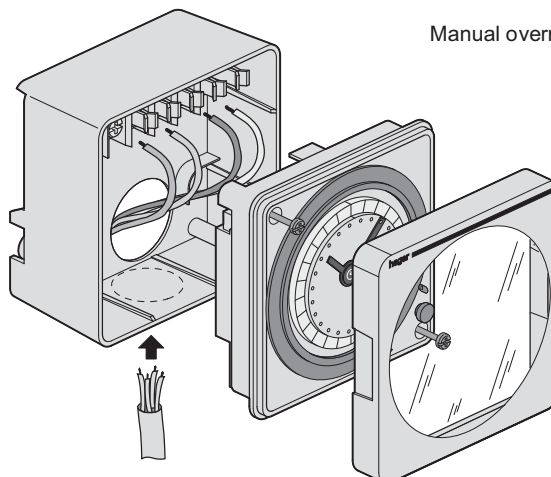
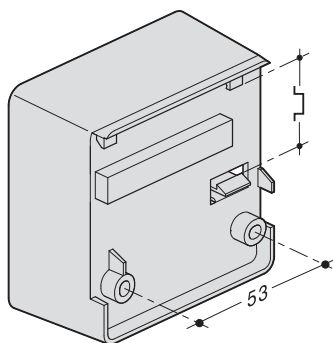
EH710 Electrical connection



Very easy programming with dual direction dial



Manual override



**Description**

Use : domestic and commercial buildings  
 For the control of lighting, heating, household appliances, shop windows, signage etc..., to improve comfort and to save energy.

**EG103B and EG203B**

(basic version)  
 Product set at current time and date when delivered.  
 Automatic change of summer / winter time.

**Programming key :**

- to allow easy back up and re-installation of the program to allow permanent program overrides.
- programming per day or group of days
- 56 ON/OFF programme steps
- permanent ON/OFF overrides
- temporary ON/OFF overrides
- bar graph indication showing the daily profile
- programming supply.

**Operating voltage**

230V~ 50/60Hz

Designation	Characteristics	Width in 17.5mm	Pack qty.	Cat. ref.
<b>1 channel daily cycle</b>	5 adjustable pre-recorded programs : 6 commutations max per day (3 ON and 3 OFF) 230V 50/60 Hz	1	1	<b>EG010</b>
	capacity : 20 program steps 230V 50/60 Hz	3	1	<b>EG110</b>
<b>2 channels daily cycle</b>	capacity : 20 program steps to be divided between the 2 channels 230V 50/60 Hz	3	1	<b>EG210</b>
<b>1 channel weekly cycle</b>	capacity : 20 program steps 230V 50/60 Hz	1	1	<b>EG071</b>
	capacity : 20 program steps 230V 50/60 Hz	3	1	<b>EG170</b>
	capacity : 56 program steps output : 1 changeover contact μ 16A - 250V~ AC1	2	1	<b>EG103B</b>
	capacity : 56 program steps output : 1 changeover contact μ 16A - AC1 - 1 2/24 V AC/DC 50/60 Hz	2	1	<b>EG103V</b>
<b>2 channels weekly cycle</b>	capacity : 20 program steps to be divided between the 2 channels 230v 50/60 Hz	3	1	<b>EG270</b>
	capacity : 56 program steps output : 2 changeover contacts μ 16A - 250V~ AC1	2	1	<b>EG203B</b>



EG071



EG210



EG203E

## Technical specifications

	EG010	EG110	EG210	EG071	EG170
<b>Width in I 17.5mm</b>	1	3	3	1	3
<b>Version</b>	daily	daily	daily	weekly	weekly
<b>Electrical characteristics</b>					
voltage supply	230V +15/-15% 50/60Hz		230V +15/-15% 50/60Hz	230V +15/-15% 50/60Hz	
consumption	1VA				
output	changeover contact				
<b>Switching capacity</b>					
AC1	16A/250V				
inductive load (cos $\varphi$ = 0.6)	3A/250V				
incandescent lamps	1000W				
<b>Characteristics</b>					
accuracy	+/- 1 sec per day				
supply failure reserve	Lithium battery total of three years				
manual override	permanent ON/OFF	permanent ON/OFF temporary ON/OFF		permanent ON/OFF	permanent ON/OFF temporary ON/OFF
<b>Environment</b>					
ingress protection	IP20				
working temperature	-10 to +50°C				
storage temperature	-10 to +50°C				
connection	0.5 to 4mm <sup>2</sup>				

	EG103B	EG203B
<b>Width in I 17.5mm</b>	2	2
<b>Cycle</b>	weekly	weekly
<b>Channels</b>	1	2
<b>Program step</b>	56	56
<b>Min. switching time</b>	1 min	
<b>Electrical characteristics</b>		
voltage supply	230V +15%/-15% 50/60Hz	
consumption	max 6VA	
output	changeover contact	
<b>Switching capacity</b>		
AC1	μ16A/250V	
inductive load (cos $\varphi$ = 0.6)	μ10A/250V	
incandescent lamps	2300W	
halogen lighting 230V	2300W	
compensated fluo. tubes //	400W, C=45μF	
non compensated fluo. tubes	1000W	
compact fluorescent tubes	500W	
min. load switching	100mA/250V	
<b>Characteristics</b>		
accuracy	± 1,5 second per day	
supply failure reserve	lithium battery : 5 years	
manual override	permanent ON/OFF temporary ON/OFF	
<b>Environment</b>		
ingress protection	IP20	
working temperature	-5 to 45°C	
storage temperature	-20 to +70°C	
<b>connection</b>	flexible: 1 to 6mm <sup>2</sup> rigid: 1.5 to 10mm <sup>2</sup>	