

ISOLATORS

WEATHER PROOF



2P & 4P IP66
IEC 60947-3, BS EN 60947-3



The Legrand weather proof series isolators are designed to be used with confidence for any external application. The range which includes double and triple poles offer complete protection against dust and harsh weather conditions. Coupled with a safety design, the range of isolators can be locked in either off or on position when required.

Type		2 Pole				3 Pole				3 Pole + Switched Neutral			
Rated Voltage / Frequency		250VAC 50/60Hz				440VAC 50/60Hz				440VAC 50/60Hz			
Utilization category		AC22 A / AC23 A				AC22 A / AC23 A				AC22 A / AC23 A			
Model No / Cat No		7 353 00/P	7 353 01/P	7 353 02/P	7 353 03/P	7 353 10/P	7 353 11/P	7 353 12/P	7 353 13/P	7 353 20/P	7 353 21/P	7 353 22/P	7 353 23/P
Rated Operational current		20A	32A	40A	63A	20A	32A	40A	63A	20A	32A	40A	63A
Rated insulation voltage [a.c.]		250V	250V	250V	250V	440V	440V	440V	440V	440V	440V	440V	440V
Rated impulse withstand voltage		2500V	2500V	2500V	2500V	2500V	2500V	2500V	2500V	2500V	2500V	2500V	2500V
Rated short-time withstand current for 1 sec		240A	384A	480A	756A	240A	384A	480A	756A	240A	384A	480A	756A
Rated short-circuit making and breaking capacities for 50ms		240A	384A	480A	756A	240A	384A	480A	756A	240A	384A	480A	756A
Live terminal screws torque value		2NM	2.5NM	2.5NM	2.5NM	2NM	2.5NM	2.5NM	2.5NM	2NM	2.5NM	2.5NM	2.5NM
Neutral terminal screws torque value		2NM	2NM	2NM	2.5NM	2NM	2NM	2NM	2.5NM	2NM	2.5NM	2.5NM	2.5NM
Earth terminal screws torque value		2NM	2NM	2NM	2NM	2NM	2NM	2NM	2NM	2NM	2NM	2NM	2NM
Plastic nylon screws Max. Torque value		1.8NM	1.8NM	1.8NM	1.8NM	1.8NM	1.8NM	1.8NM	1.8NM	1.8NM	1.8NM	1.8NM	1.8NM
Conductor Rigid- Stranded	Min. size(sq.mm)	2.5	6	6	10	2.5	6	6	10	2.5	6	6	10
	& number	1	1	1	1	1	1	1	1	1	1	1	1
	Max.size(sq.mm)	4	10	10	16	4	10	10	16	4	10	10	16
Rated duty		Uninterrupted duty											
<p>Note: Use padlock with shackle size Ø6.00mm when required to lock the unit in either 'OFF' or 'ON' position.</p>													

ISOLATORS

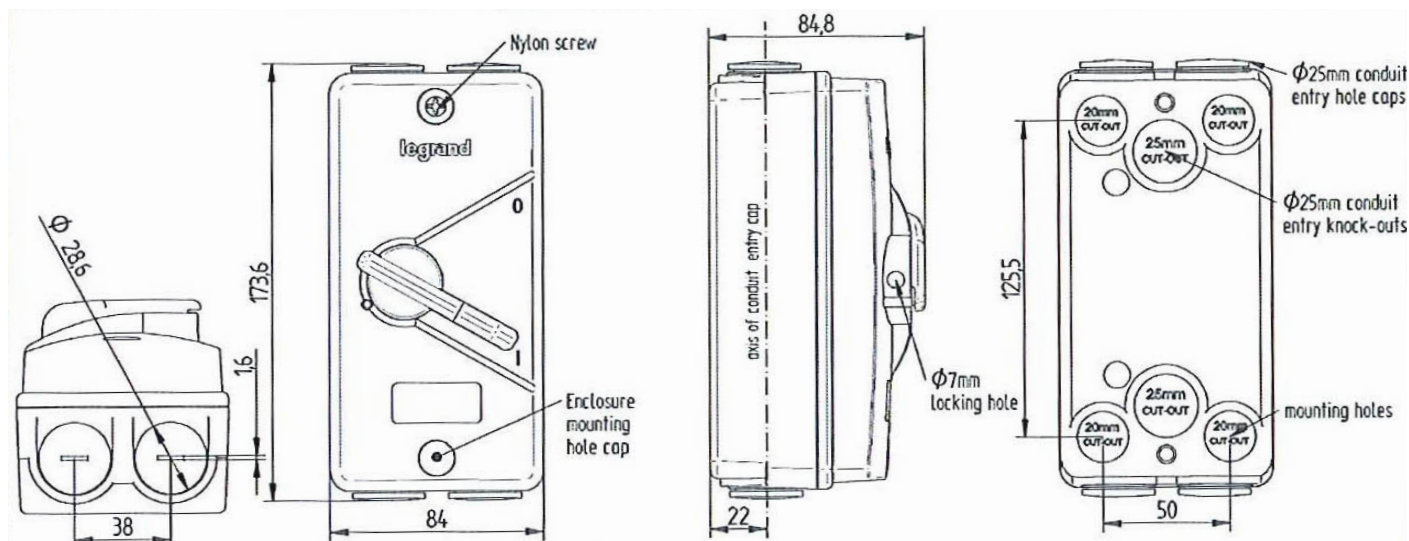
Isolators Switch

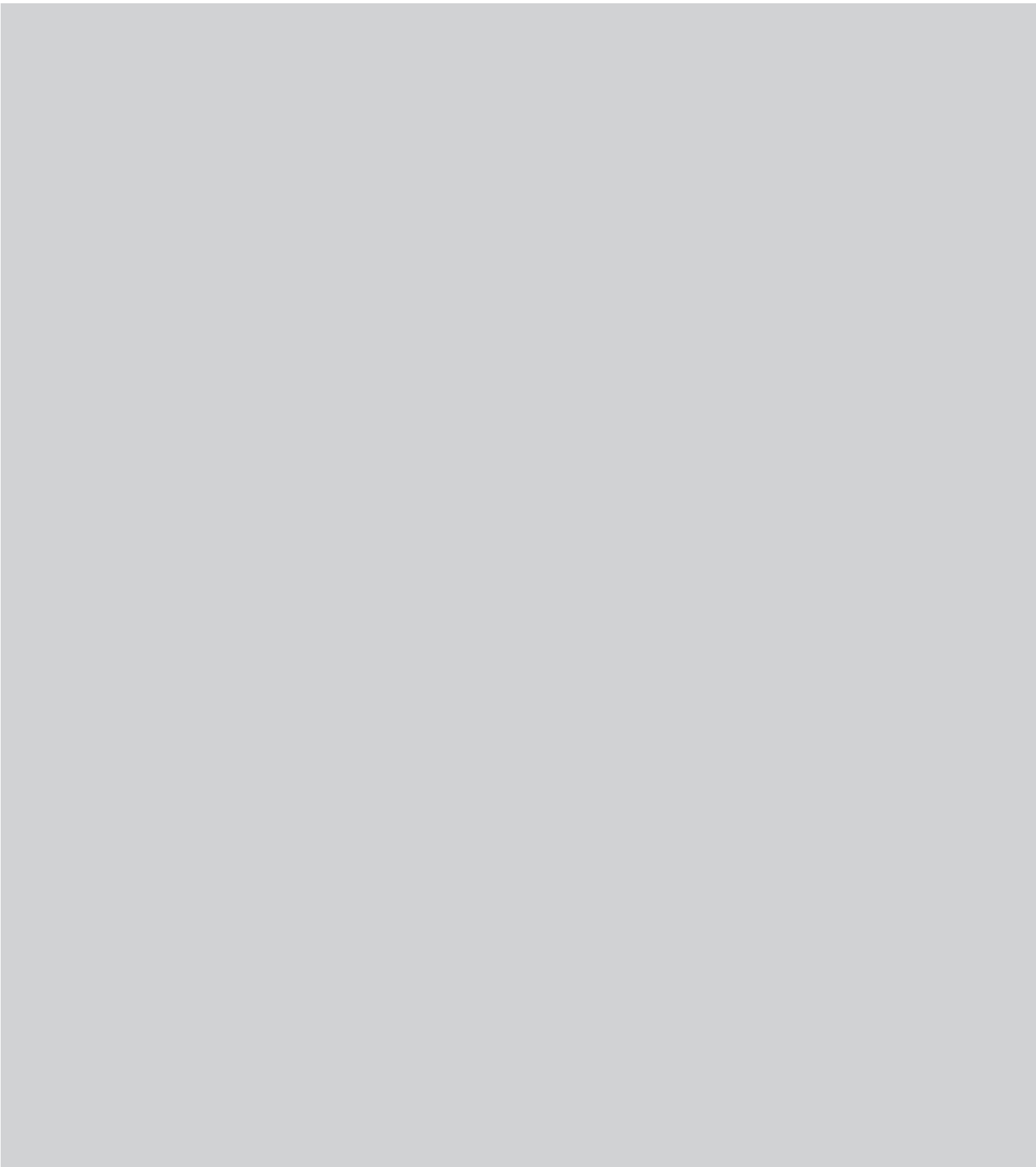


Pack	Cat.Nos	Isolator Switch AC22A
		2 Pole 250VAC 50/60HZ
1	7 353 00	2P 20A
1	7 353 01	2P 32A
1	7 353 02	2P 40A
1	7 353 03	2P 63A
		3 Pole 440VAC 50/60HZ
1	7 353 10	3P 20A
1	7 353 11	3P 32A
1	7 353 12	3P 40A
1	7 353 13	3P 63A
		3 Pole + Switched Neutral 440VAC 50/60HZ
1	7 353 20	4P 20A
1	7 353 21	4P 32A
1	7 353 22	4P 40A
1	7 353 23	4P 63A

Pack	Cat.Nos	Isolator Switch AC23A
		2 Pole 250VAC 50/60HZ
1	7 353 00P	2P 20A
1	7 353 01P	2P 32A
1	7 353 02P	2P 40A
1	7 353 03P	2P 63A
		3 Pole 440VAC 50/60HZ
1	7 353 10P	3P 20A
1	7 353 11P	3P 32A
1	7 353 12P	3P 40A
1	7 353 13P	3P 63A
		3 Pole + Switched Neutral 440VAC 50/60HZ
1	7 353 20P	4P 20A
1	7 353 21P	4P 32A
1	7 353 22P	4P 40A
1	7 353 23P	4P 63A

Dimensions (mm)





Legrand Singapore
15 Jalan Kilang Barat
#07-05/06/07 Frontech Centre
Singapore 159357
Tel : (65) 6416 1550
Fax : (65) 6416 1580
Email : customerhub.sg@legrand.com.sg

BRO-090513