

DECLARATION

No part of this publication may be reproduced, stored in a retrieval system, or transmitted in any form by any means, electronic, mechanical, photocopying, recording, or otherwise without prior permission of Aicel. All rights reserved. This company reserves power or revision of product specification described in this manual without notice. Before ordering, please consult local agent for the latest specification of product.



AISIKAI-202011ATSSG-V1.8

© AISIKAI ELECTRIC COPYRIGHT

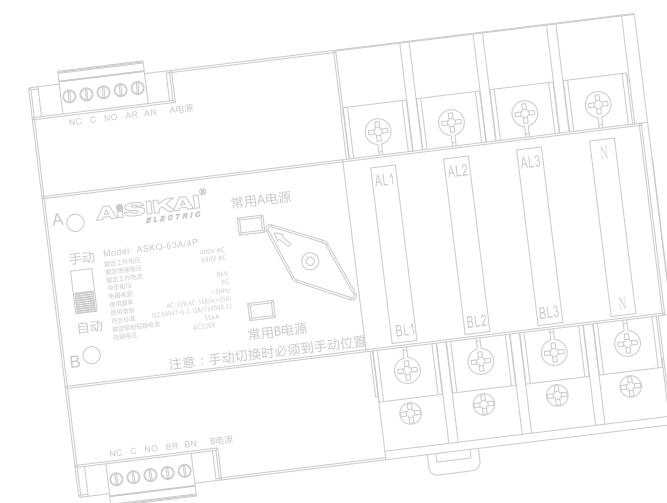


wechat



contact

AISIKAI®



AUTOMATIC TRANSFER SWITCH SELECTION GUIDE

JIANGSU AISIKAI ELECTRIC CO.,LTD

Tel: +86-514-83872777 83872888

Fax: +86-514-83872000

Free Service Telephone: 400-828-8338

E-mail: aisikai@aisikai.cc

Factory Add: NO.5 Chuangye Road, Chenji Industrial Zone, Yizheng City, Jiangsu Province China

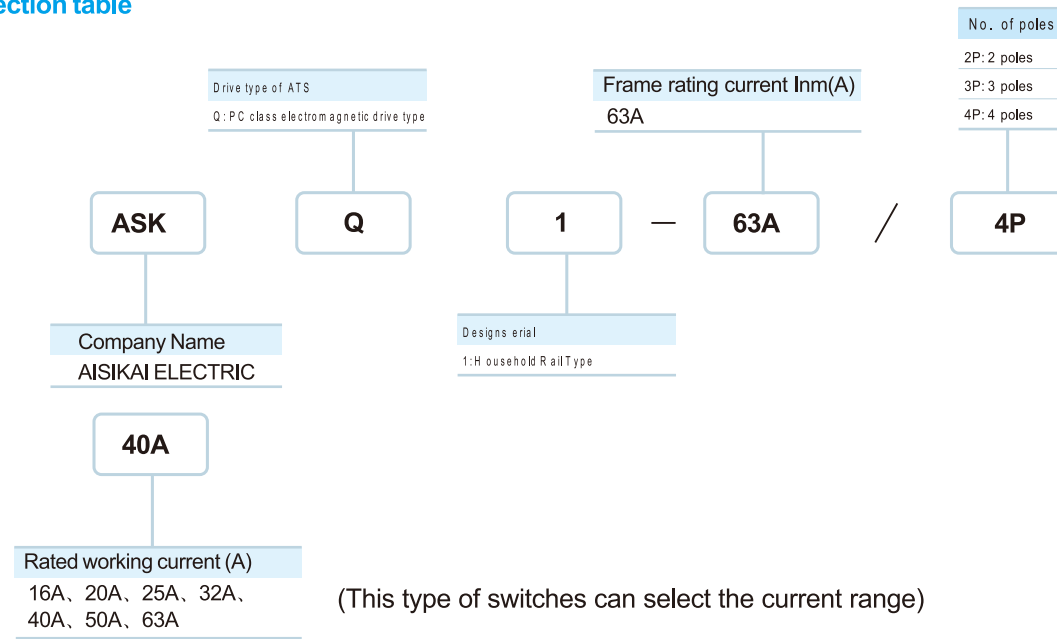
JIANGSU AISIKAI ELECTRIC CO.,LTD

ASKQ SERIES PC CLASS ATS (ELECTROMAGNETIC DRIVEN TYPE)

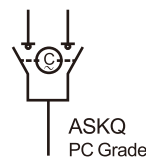
PRODUCT OVERVIEW

- ASKQ series dual power automatic transfer switch is PC Class non-frequently operable electrical transfer switch. It has 3 working modes: Fully Automatic, Electric and Emergency Manual. It is suitable to be used in the 50/60Hz 6A-6300A low voltage AC power distribution systems for reliable transfer between two power supplies.

Quick selection table



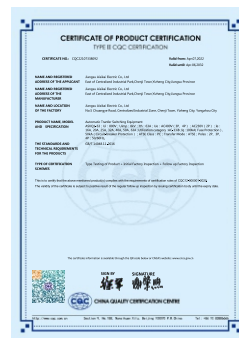
Design Marking



Model Description:

- ASKQ1-63A/4P 40A:
- 1、 Class PC electromagnetic driven type automatic transfer switch
 - 2、 household rail type, frame rating current 63A
 - 3、 rated operational current 40A
 - 4、 4 poles of copper bars
 - 5、 automatic switch to standby and automatic return to main

QUALIFICATION DOCUMENTS



OVERVIEW



- ASKQ1 double power automatic transfer switch is Class PC infrequently operated electric transfer switch. Switches are suitable for the reliable conversion of two power supplies in 50/60Hz 16A-63A low voltage AC power distribution system. There are three working modes: automatic, electric and emergency manual.

PRODUCT FEATURES

- The excitation type electromagnet drive is adopted, which is extremely fast in transferring.
- 16A-63A switch is suitable for home use, meeting the requirements of the third level power distribution system. The rail mounting is convenient for fast installation.

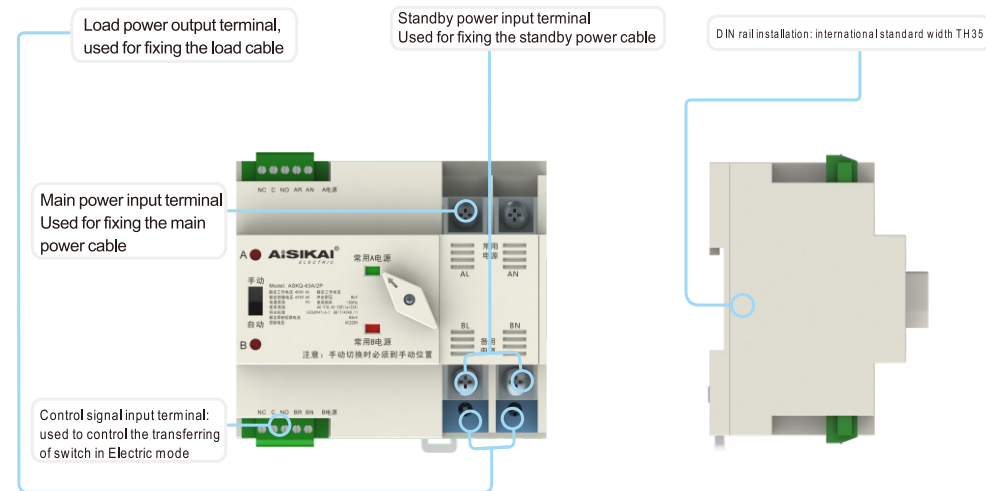
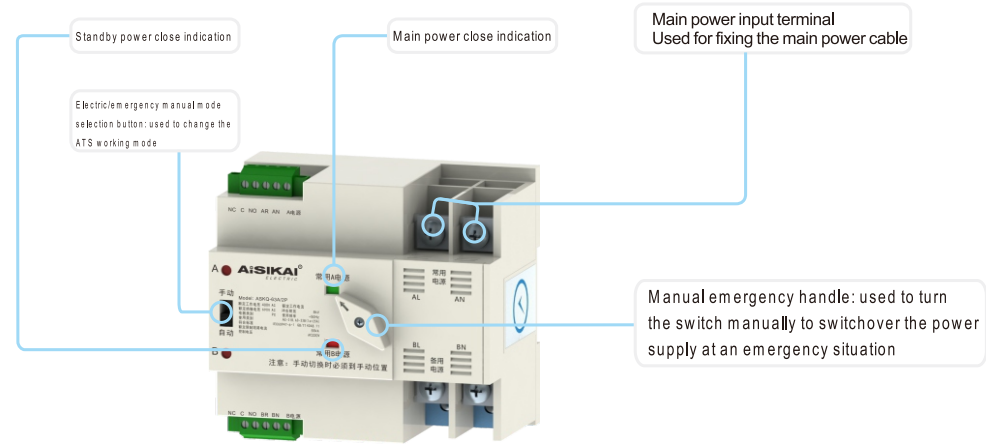
Normal working conditions and installation methods

Category	Requirements
Operating temperature	-25 to 60 °C . The average value for 24 hours shall not exceed +35°C ;
Operating humidity	The average humidity at +40°C shall not exceed 50% ; higher humidity is allowed at a lower temperature, for example, 90% at +25°C . Special measures should be taken when occasionally there is condensation on the products due to temperature changes
Altitude	Lower than 2000 meters and, if higher than 2000 meters, please use reduce product rated value for use
Vibration and gas	There shall be no strong vibration or shock and no harmful gases to corrode the metals and to damage the insulation within the environment of its use
Surrounding material	There shall be no serious dust, conductive particles or explosive hazardous substances
Class of pollution	Class III in accordance with GB/T14048.11
Installation category	Category III in accordance with GB/T14048.11
Installation method	Vertically installed in control cabinet, power distribution cabinet

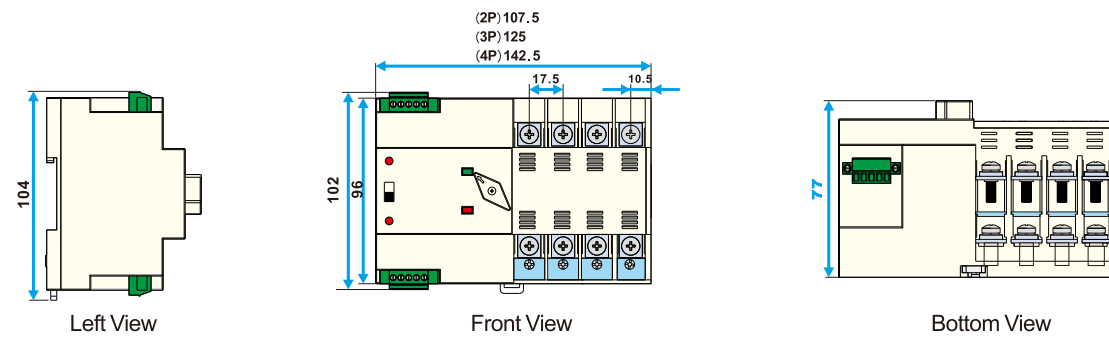
MAIN TECHNICAL PARAMETERS (16A-63A)

Rated operating voltage of copper bar U_e	AC 400V(3P、4P) AC230V(2P)
Rated operating current of copper bar I_e	16A、20A、25A、32A、40A、50A、63A
Rated insulation voltage of copper bar U_i	690V AC
Rated impulse withstand voltage U_{imp}	8kV
Rated limit short-circuit current I_{sc}	Fuse for protection 100kA Circuit breaker for protection 50kA
Use category	33iB
Electrical Class	PC class
Use frequency	50Hz~60Hz
Applicable standards	IEC60947.1 GB/T14048.11

STRUCTURE INTRODUCTION (16A-63A)

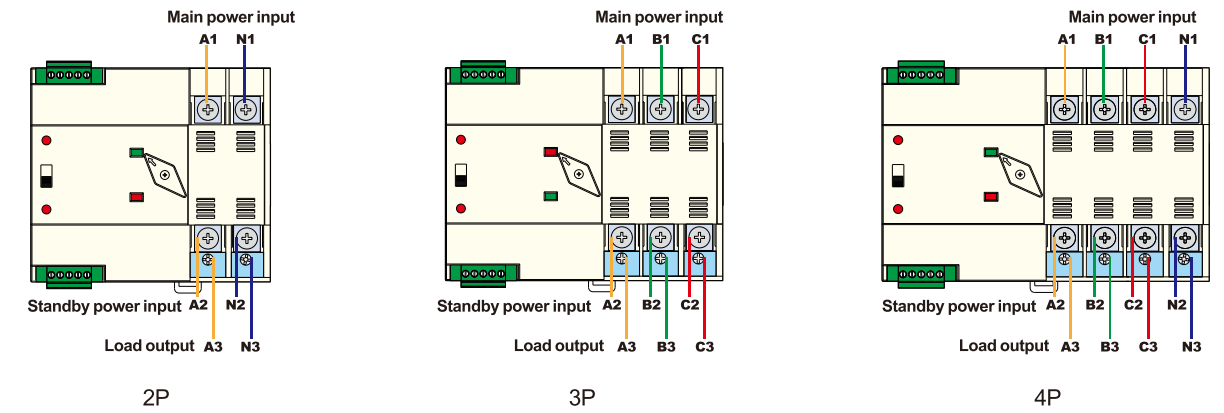


OUTLINE DIMENSIONS DIAGRAM (16A-63A)



TYPICAL WIRING DIAGRAM(16A-63A)

Primary wiring schematic diagram



- Note:
 - When in Manual mode, first connect the main power and standby power input terminals properly and, having verified that the live wires and neutral wires of both power supplies are consistent, connect the load output cable.
 - When needing manual operation, first set the button in Manual position, then turn the handle to transfer.

Secondary wiring schematic diagram

- Full-auto control method electrical diagram

