

DH48S digital timer manual

DH48S adopt advanced IC and digital tube, can replace H5CN or such function products. With advantage of beautiful appearance, wide delay time range, high accuracy, low power consumption, long life, big contact rating, used for automatic control.

Model description

DH48S-1Z:

Delay SPDT, with reset, pause function;

DH48S-2Z:

Delay DPDT;

DH48S-2ZH

Delay SPDT and instantaneous SPDT

Features

1. Power supply tolerance: 85-110% rated voltage
2. AC: 110V, 220V, 380V
3. DC: 12V, 24V
4. Repeat accuracy: $\leq 0.3\% \pm 0.05s$
5. Contact rating: 3A@250Vac, 5A@28Vdc(Resistance)
6. Mechanical life: $\geq 10^7$
7. Electrical life: $\geq 10^7$
8. Power consumption: $\leq 5W$
9. Operating temperature: $-10^{\circ}C$ to $50^{\circ}C$
10. Operating humidity: 95% RH max, non-condensing

Delay range(set by panel dial switch)

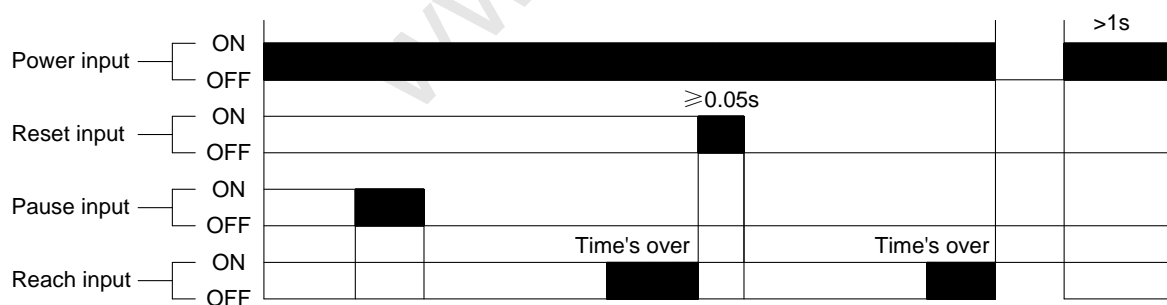
DH48S

Switch value	Delay range
H	1M-99H99M
M	1S-99M99S
S	0.01S-99.99S

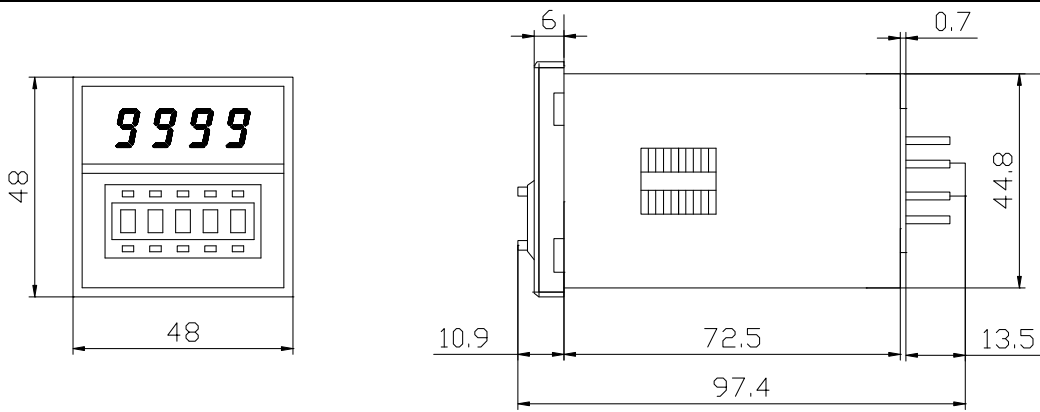
DH48SA

Switch value	Delay range
M S	1S-99M99S
H M	1M-99H99M
0.01S	0.01S-99.99S
0.1S	0.1S-999.9S
S	1S-9999S
M	1M-9999M
10S	10S-99990S
0.1M	0.1M-999.9M
0.1H	1H999.9H
H	1H-9999H

Sequence diagram

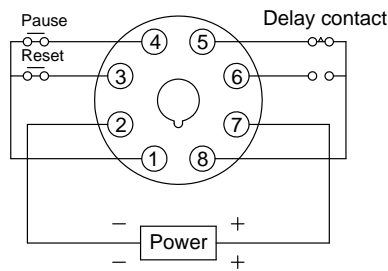


Dimensions (Unit: mm)

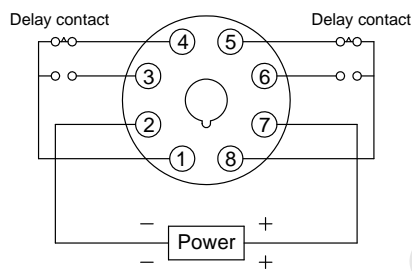


Note: Perforation dimension 45.5x45.5 mm

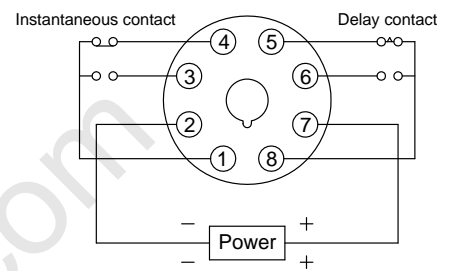
■ Wiring diagram



DH48S-S, DH48S-1Z



DH48S-S-2Z, DH48S-2Z



DH48S-2ZH

■ Use description

1. Set delay time first, then switch on electric power.
2. After delay time set, should cover the protective hat, to avoid to press the dial switch then timer action.
3. If the load current is big, should be used with contactor.
4. When switch on ①③ terminal, the contact position will reset, when switch off, the time will begin with zero, can use this function to achieve Off-delay function (DH48S-2Z don't have this function).
5. Use pause function as a counter: (DH48S-2Z don't have this function), when switch on ①④ terminal, the time is pause, display hold, when switch off, the time continue.
6. Reset and pause wire, please use shield wire.
7. Forbid add voltage to pause or reset terminal.
8. The use circumstance should be without causticity, dust, rain, frost, oil mist.
9. Note: This product can full display, hidden zero, count, countdown.